



Bobcat®

E32 – E35

Compact Excavators



**SMOOTH
POWER
BY BOBCAT**

Non-stop reliability

■ Designed to keep going

With tight deadlines, you don't have time for breakdowns

Our E32 and E35 mini-excavators offer maximum reliability – combined with the flexible, compact size you need for even your smallest sites!

By redesigning the boom structure and strengthening the undercarriage with wider sprockets and new sealed track rollers, the E32 and E35 are made even more robust.

Rigorous endurance tests confirm the durability and low operating cost of the E32 and E35. The result? First-rate reliability you can count on, plus great residual value.

■ Material advantage

As a building contractor, you know that a super design means nothing if you don't build with the best-quality materials. And at Bobcat, we know it, too. All our components are top-of-the-line, from the new sealed, maintenance-free track rollers to the impact-resistant polymer plastic used in the tail- and side-gates. So our machines can resist whatever your site throws at them.



With zero tail swing and an X-frame undercarriage for high ground clearance, these compact excavators offer top performance in the most awkward spaces.



Smooth and strong

■ Smooth moves

High power is no longer enough

You need a machine that offers precision finish for your tasks. The E32 and E35 deliver smooth workgroup control, combined with all the hydraulic performance you need.

Whether you are digging a trench or loading trucks, your job demands precision. Utilizing the latest in technology, the E32 and E35 deliver precise control without compromising on cycle times or breakout forces.

■ Save money with auto-idle

Our auto-idle feature saves fuel, reduces on-site noise and creates a more comfortable environment for everyone.

■ Auto-shift to next level

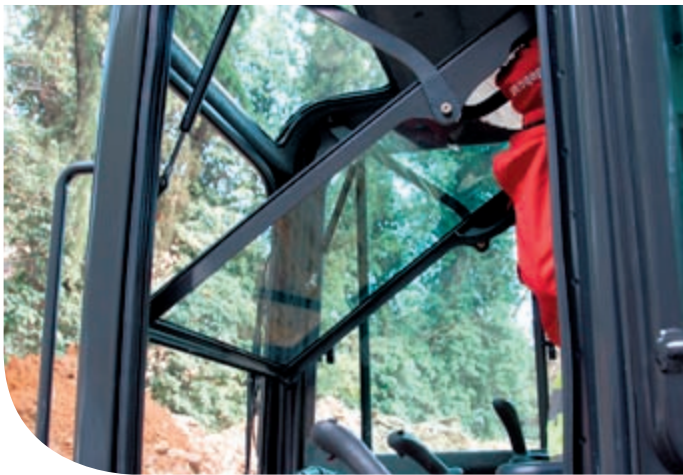
To make operation even easier, the auto-shift travel motors changes automatically between low and high speed, so you can feel the superb travel performance under all working conditions.



Comfortably more productive

■ Less vibration, heat and noise guarantee a better working environment

A comfortable, efficient operator space makes it a lot easier to get the job done! So operator comfort is our priority. In the E32 and E35, you have less vibration, heat and noise, thanks to lots of features like the new engine, air intake, cooling and exhaust systems. And our cab design gives you more space, visibility and overall comfort.



Improve your perspective: the E32 and E35 offer 360° visibility.



Designed from the inside out, with the operator's comfort in mind, the cab is remarkably spacious.

■ It's an easy touch

Operating the boom on the E32 and E35 is pure and simple

Thanks to the thumb switch on the left joystick ①. Compared to the classic foot pedal, this gives you a triple advantage: precision control of the boom swing, enhanced ergonomics and lots more floor space – and leg room!



The new X-frame undercarriage offers better ground clearance and easy shedding of debris.



The new, ergonomic, cast aluminium travel pedals ensure smooth, confident travel control of the machine.



①

The choice is yours

■ E32

- Conventional tail swing
- More compact (in length & width)
- Increased lifting capacity
- 3.2 ton.



■ E35

- Zero tail swing guarantees operational freedom and peace of mind while working
- 3.5 ton.



■ Options and kits

Personalise your E32 or E35 with a wide selection of optional features and kits

- Heated cab
- Air-conditioned cab
- Steel tracks
- Long arm
- Safety valves (boom and arm)
- Textile seat
- 2nd auxiliary hydraulics
- Bolt-on rubber pad kit (for steel tracks)
- Travel motion alarm kit
- Beacon kit
- Left and right mirror kit
- Special applications kit (front windscreen protection)
- Fuel filter kit with transparent water separator
- Easy-to-install radio with MP3.



Compact and easy to transport.

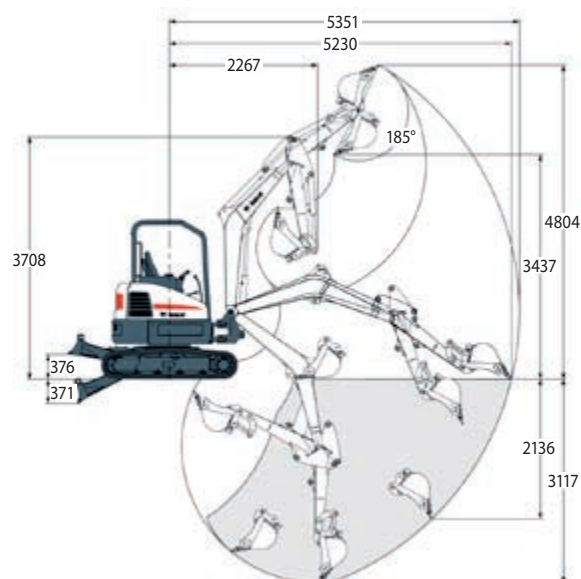


Maintenance is a breeze, with easy access to all components and centralized grease points. And auto-tensioning belts mean one thing less to take care of!

	E32	E35
Weights		
Operating weight with ROPS canopy	3206 kg	3372 kg
Additional weight for cab with heater	121 kg	
Additional weight for cab with HVAC	140 kg	
Additional weight for steel tracks	92 kg	
Additional weight for long dipperstick	306 kg	
Engine		
Make / Model	Kubota / D1803-M-D1-E3B-BC-3	
Fuel / Cooling	Diesel / Liquid, forced circulation	
Maximum power at 2400 RPM (SAE J1995)	24.8 kW	
Maximum torque at 1400 RPM (SAE J1995)	113.6 Nm	
Number of cylinders	3	
Displacement	1862 cm ³	
Bore / Stroke	87.0 mm / 102.4 mm	
Alternator	12 V – 90 A – open frame with internal regulator	
Starter	12 V – gear reduction type – 2.0 kW	
Controls		
Steering	Direction and speed controlled by two pilotoperated hand levers or two foot pedals	
Hydraulic System		
Pump type	Single outlet variable displacement, load	
Piston pump capacity	100.8 l/min	
Gear pump capacity	9.6 l/min	
Auxiliary	63.9 l/min	
Control valve	9-spool, closed centre, individually compensated	
Performance		
Digging force, standard dipperstick	21000 N	
Digging force, long dipperstick	18320 N	
Digging force, bucket	31500 N	
Drawbar pull	32131 N	32033 N
Ground pressure with standard dipperstick and rubber tracks	28.8 kPa	
Ground pressure with standard dipperstick and steel tracks	29.6 kPa	
Ground pressure with long dipperstick and rubber tracks	29.6 kPa	
Ground pressure with long dipperstick and steel tracks	30.4 kPa	
Travel speed, low range	2.6 km/h	
Travel speed, high range	4.7 km/h	
(K) Maximum digging depth, standard dipperstick	3117 mm	
(K) Maximum digging depth, long dipperstick	3417 mm	
Slew System		
Boom swing, left	77°	
Boom swing, right	55°	
Slew circle	Row shear-type ball bearings with internal gear	
Slew drive	Axial piston connected to a planetary drive	
Slew rate	8.6 RPM	
Traction		
Track width	320 mm	
Number of track rollers per side	1 top, 5 bottom	
Gradeability	30°	
Brakes		
Travel brake	Hydraulic brake on motor	
Slew brake	Spring applied, hydraulically released	
Fluid Capacities		
Cooling system	8.0 l	
Engine lubrication plus oil filter	5.2 l	
Fuel reservoir	53.1 l	
Hydraulic reservoir	22.7 l	
Hydraulic system with bucket and dipper cylinder retracted, bucket on the ground, and blade down	39.7 l	

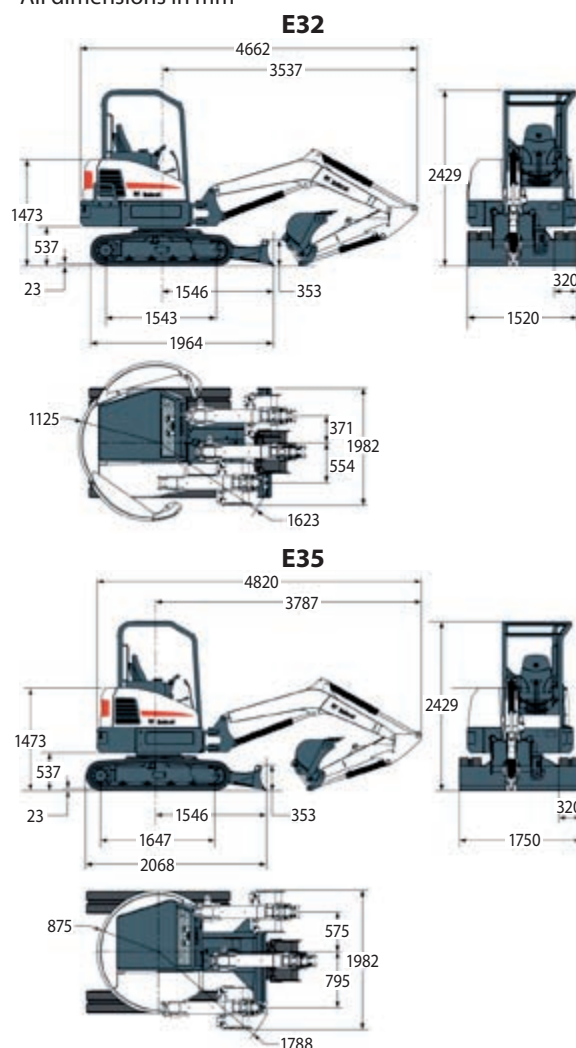
Working Range

All dimensions in mm.



Dimensions

All dimensions in mm



www.bobcat.eu



Bobcat®

Specifications and design are subject to change without notice. Pictures of Bobcat products may show other than standard equipment.